



**SPARE PARTS CATALOGUE
ERSATZTEILKATALOG
CATALOGUE PIECES DETACHEES
CATALOGO PARTI RICAMBIO
CATALOGO DE PIEZAS DE RECAMBIO
CATALOGO PECAS, DE REPOSICAO**

Catalogo parti di ricambio valido
dalla matricola 3026297 ad oggi (29/10/2021)

Catalogue pieces detachees
du numero de Série n. 3026297 jusqu'à aujourd'hui (29/10/2021)

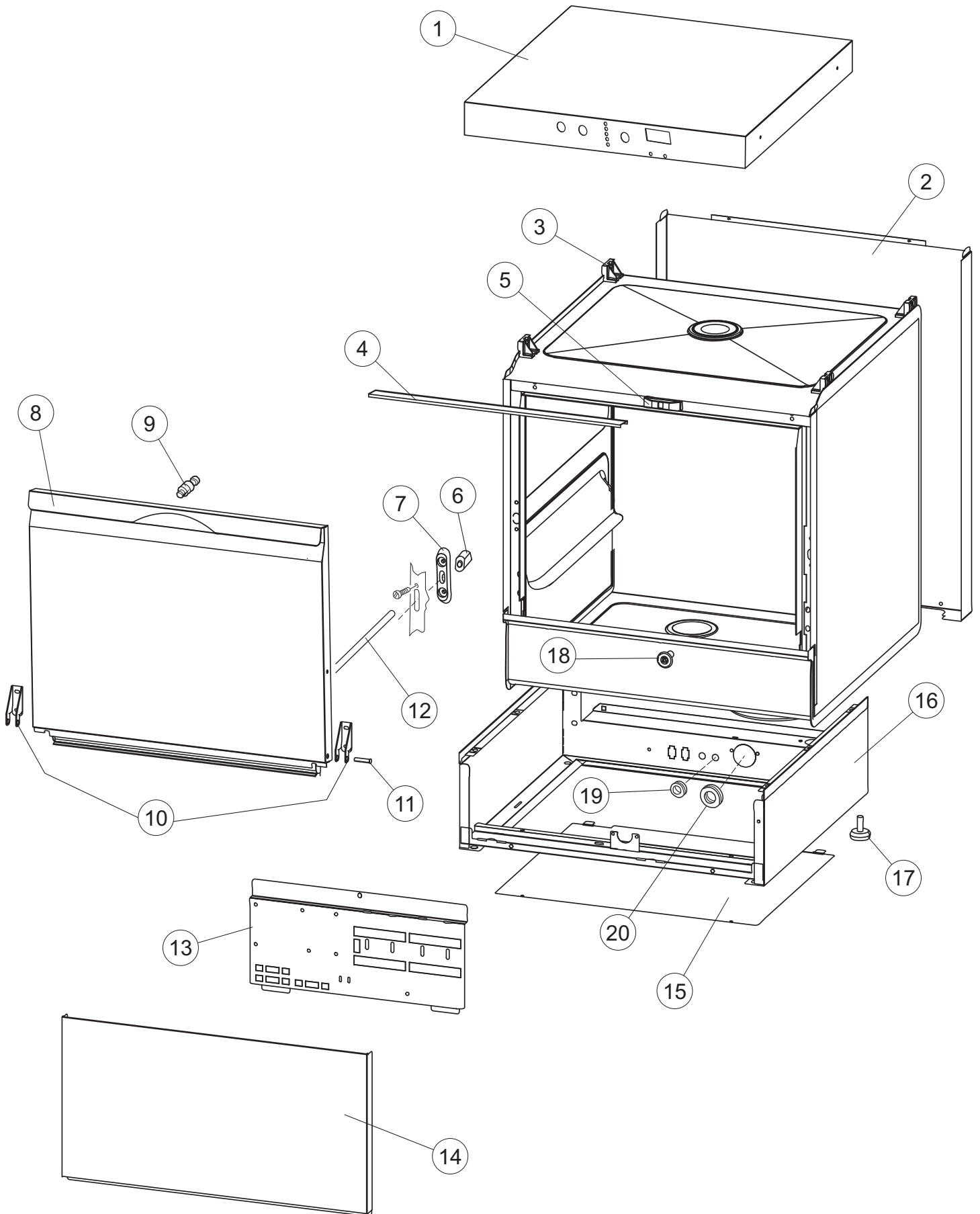
Ersatzteilkatalog
gültig ab Serien-Nr. 3026297 bis heute (29/10/2021)

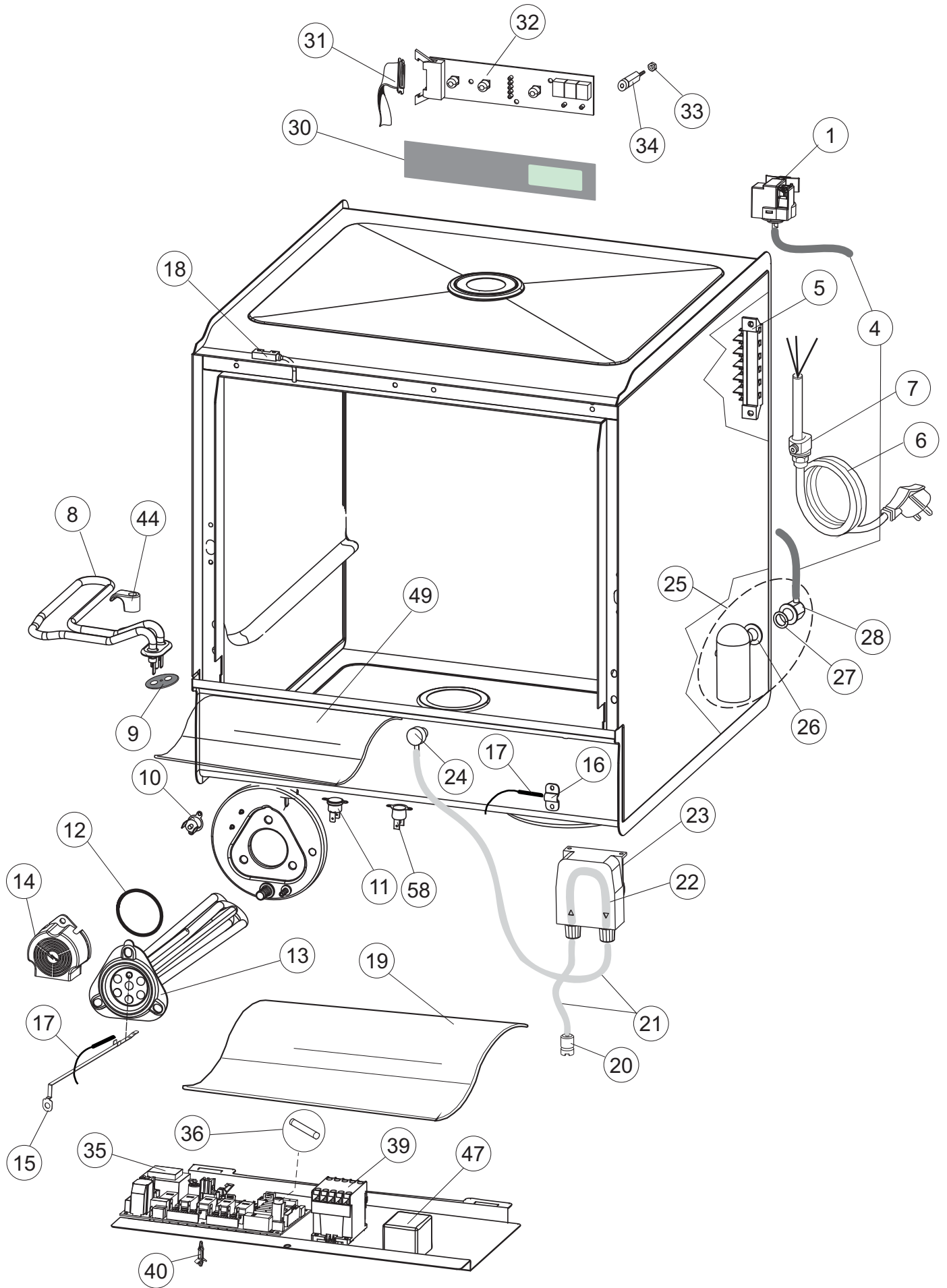
Spare parts catalogue
valid from serial no. 3026297 up today (29/10/2021)

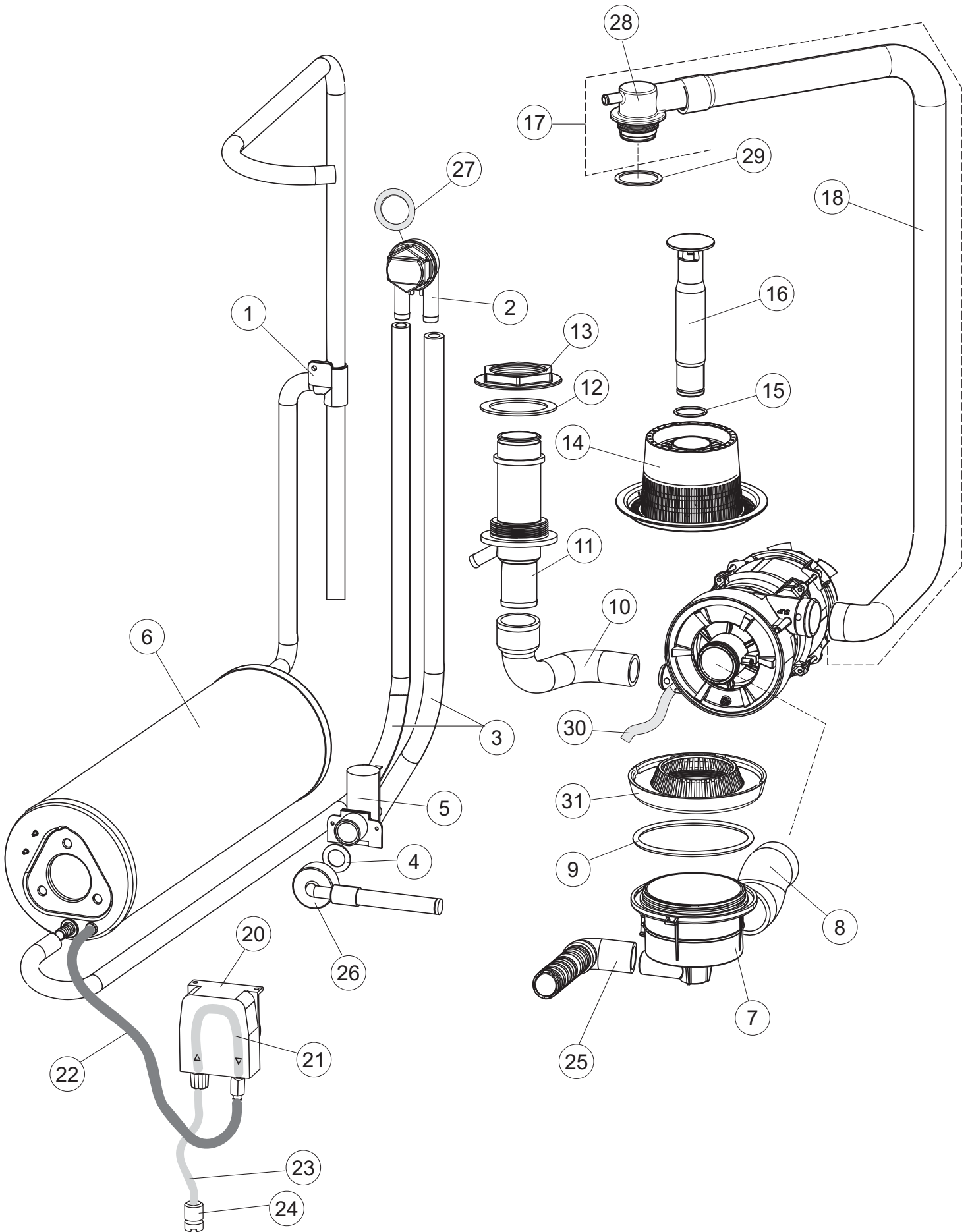
Catálogo de peças de reposição
válido do número de série 3026297 até hoje (29/10/2021)

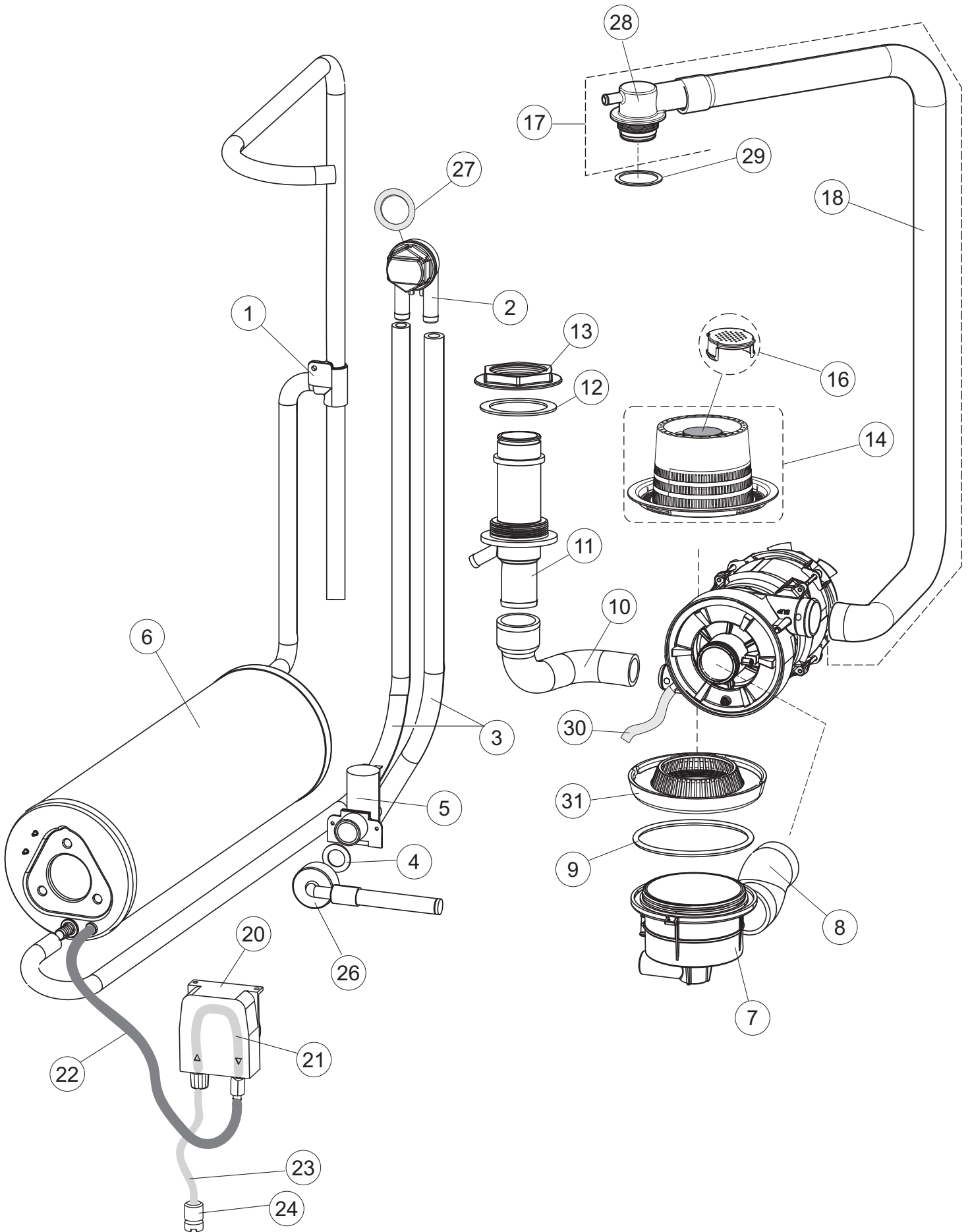
LVP3250EDBD

1

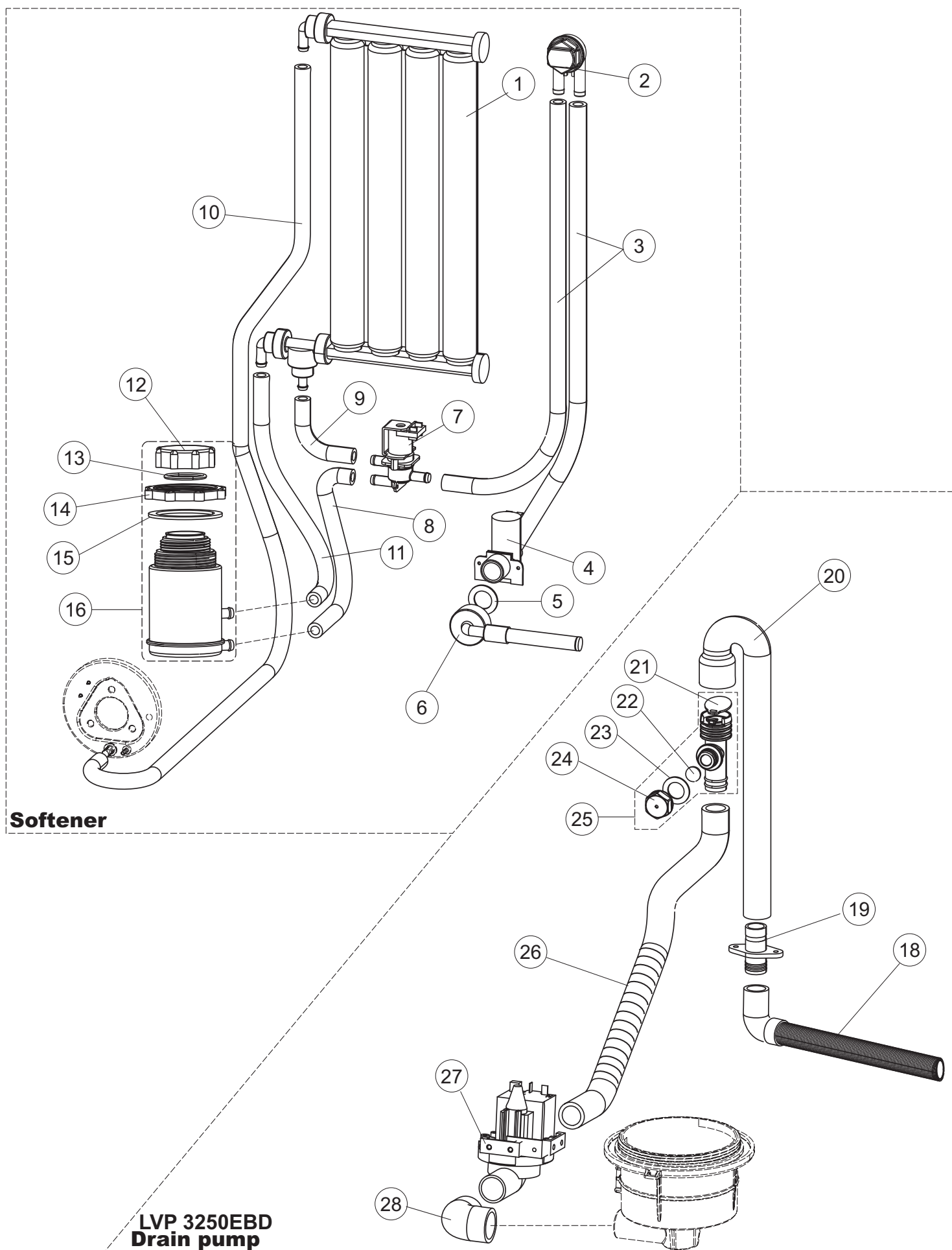




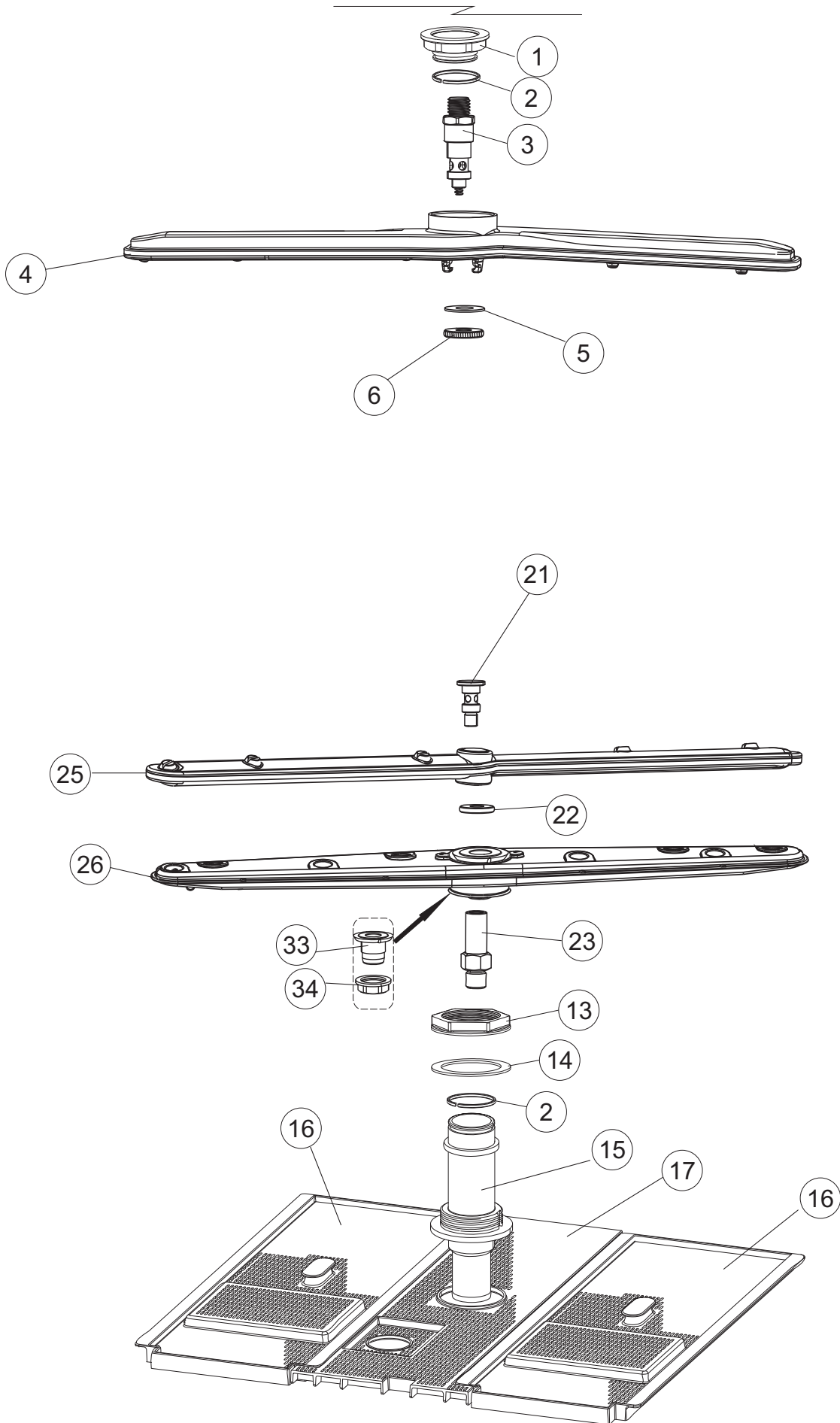


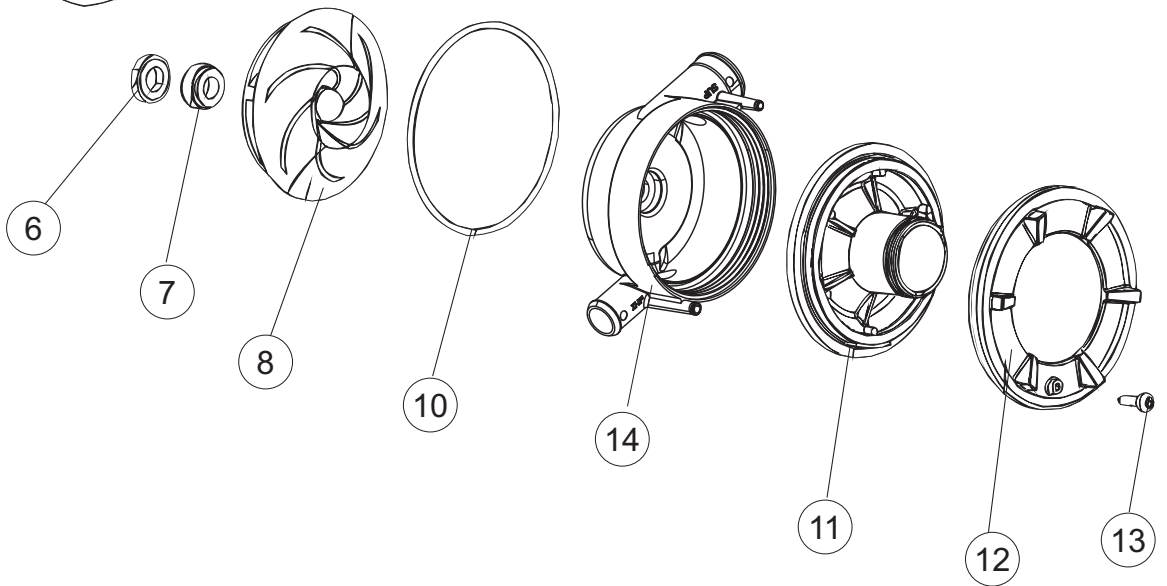
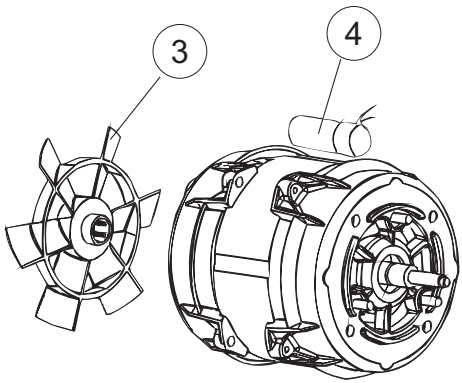
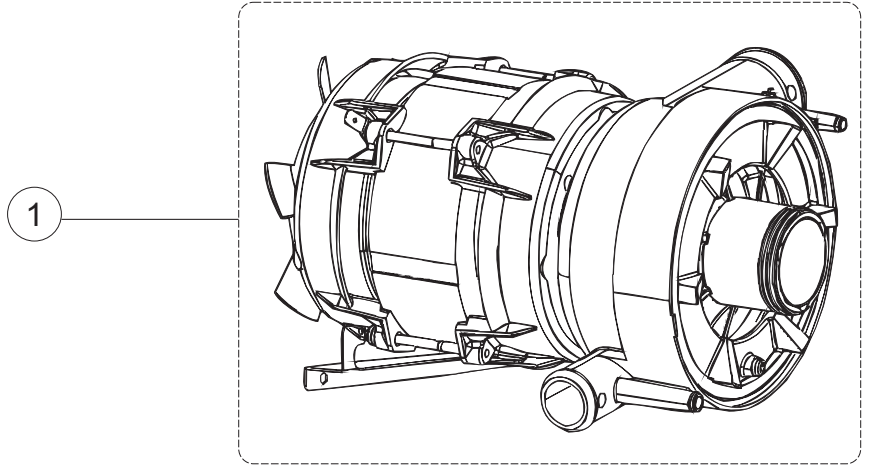


Drain Pump
LVP 3250EBD



6





(*) Recommended spare part.

| Page | Spare part position | Spare part code no. | Old code number | Description | U.m. |
|------|---------------------|---------------------|-----------------|--|------|
| 1 | 1 | 004262 | | TOP PANEL | NR |
| 1 | 2 | 022159 | | BACK PANEL | NR |
| 1 | 3 | 035113 | | SUPPORT BRACKET | NR |
| 1 | 4 | 437081 | | DOOR GASKET 50/505 | NR |
| 1 | 5 | 994012 | | DOOR LOCK FOR DISHWASHERS | NR |
| 1 | 6 | 417041 | | DOOR CLOSING CONTACT BETA 50 (S6198) | NR |
| 1 | 7 | 307003 | | NUT OF TOP DOOR-STOP BAR | NR |
| 1 | 8 | 029728 | | DOOR, | NR |
| 1 | 9 | 325066 | | DOOR CLOSURE STAKE FOR GLASSWASHERS | NR |
| 1 | 10 | 311019 | | DOOR HINGE D18/G25 (S6662) | NR |
| 1 | 11 | 325036 | | PIVOT | NR |
| 1 | 12 | 304021 | | DOOR TIE ROD FOR DISHWASHER (S6323) | NR |
| 1 | 13 | 035112 | | WIRING PANEL | NR |
| 1 | 14 | 012338 | | FRONT PANEL | NR |
| 1 | 15 | 030195 | | UNDERPROTECTION FOR BASIS OF GLASS- WASHER | NR |
| 1 | 16 | 040123 | | BASE FRAME LA500 | NR |
| 1 | 17 | 461019 | | HEXAGONAL FOOT ADJUSTABLE FOR DISHWASHER | NR |
| 1 | 18 | 480153 | | PLUG | NR |
| 1 | 19 | 459006 | | CHOCK D INT 9 EST 16 | NR |
| 1 | 20 | 459004 | | DRAIN PUMP CHOCK | NR |
| 2 | 1 | 224031 | | PRESSURE SWITCH | NR |
| 2 | 4 | 143235 | | PIPE | MT |
| 2 | 5 | 220011 | | TERMINAL BLOCK | NR |
| 2 | 6 | 299040 | | PLUG SCHUCKO 90- CABLE 1=2,5 MT | NR |
| 2 | 7 | 459005 | | CABLE-RETAINER | NR |
| 2 | 8 | 74169 | | HEATING ELEMENT 2100W 230V | NR |
| 2 | 9 | 437086 | | PACKING OF THE TANK RESISTANCE | NR |
| 2 | 10 | 236047 | | SAFETY TANK THERMOSTAT 95C | NR |
| 2 | 11 | 236061 | | THERMOSTAT 127 | NR |
| 2 | 12 | 456002 | | O-RING | NR |
| 2 | 13 | 230116 | | BOILER HEATING ELEMENT | NR |
| 2 | 14 | 69870 | | BOILER HEATING ELEMENT PROTECTION | NR |

(*) Recommended spare part.

| Page | Spare part position | Spare part code no. | Old code number | Description | U.m. |
|------|---------------------|---------------------|-----------------|---|------|
| 2 | 15 | 69871 | | PROBE HOLDER | NR |
| 2 | 16 | 028105 | | FIXING PLATE | NR |
| 2 | 17 | 231016 | | TEMPERATURE PROBE | NR |
| 2 | 18 | 80871 | | MAGNETIC DOOR SWITCH | NR |
| 2 | 19 | 214114 | | TRANSPARENT PROTECTION FOR ELECTRIC INSTALLATION FOR DISHWASHER | NR |
| 2 | 20 | 121993 | | FILTER AID DISPENSER | NR |
| 2 | 21 | 143194 | | PIPE | MT |
| 2 | 22 | 143258 | | "SANTOPRENE" PIPE | NR |
| 2 | 23 | 209043 | | DETERGENT DOSING PUMP | NR |
| 2 | 24 | 999348 | | DETERGENT TANK FITTING | NR |
| 2 | 25 | 984007 | | CONTROL GROUP THE LEVEL OF WATER | NR |
| 2 | 26 | 437019 | | PACKING FOR AIR TRAP OF PRESSURE SWITCH | NR |
| 2 | 27 | 456020 | | O-RING | NR |
| 2 | 28 | 468029 | | AIR TRAP CONNECTION OF PRESSURE SWITCH | NR |
| 2 | 30 | 026952 | | CONTROL ADHESIVE INTERFACE | NR |
| 2 | 31 | 211013 | | FLAT WIRE | NR |
| 2 | 32 | 80945 | | PUSH BUTTONS ASSEMBLY | NR |
| 2 | 33 | 417119 | | NUT | NR |
| 2 | 34 | 419036 | | INTERFACE BOARD DISTANCE KEEPERS | NR |
| 2 | 35 | 215042-1 | | MAIN BOARD GET50.2 | NR |
| 2 | 36 | 228010 | | FUSE | NR |
| 2 | 39 | 229042 | | AUXILIARY CONTACT | NR |
| 2 | 40 | 461028 | | FOOT BOARD SUPPORT | NR |
| 2 | 44 | 999351 | | GROUP STOPPED TANK HEATER | NR |
| 2 | 47 | 229029 | | RELAY | NR |
| 2 | 49 | 214108 | | PVC CURTAIN FOR ELECTRIC PROTECTION | NR |
| 2 | 58 | 236052 | | THERMOSTAT 90+/-3C | NR |
| 3 | 1 | 143263 | | PIPE | NR |
| 3 | 2 | 144030 | | NO RETURN VALVE | NR |
| 3 | 3 | 143004 | | PIPE | MT |
| 3 | 4 | 437041 | | GASKET | NR |
| 3 | 5 | 240011 | | FILL VALVE | NR |

(*) Recommended spare part.

| Page | Spare part position | Spare part code no. | Old code number | Description | U.m. |
|------|---------------------|---------------------|-----------------|--------------------------------|------|
| 3 | 6 | 104060 | | BOILER | NR |
| 3 | 7 | 136030 | | ASPIRATION AND DRAIN BODY | NR |
| 3 | 8 | 127082 | | DELIVERY WASH HOSE | NR |
| 3 | 9 | 456076 | | O-RING | NR |
| 3 | 10 | 127085 | | DELIVERY WASH HOSE | NR |
| 3 | 11 | 115143 | | MAINFOLD | NR |
| 3 | 12 | 437102 | | GASKET | NR |
| 3 | 13 | 429073 | | RING NUT | NR |
| 3 | 14 | 121120 | | STAINER | NR |
| 3 | 15 | 456081 | | O-RING | NR |
| 3 | 16 | 142058 | | OVERFLOW PIPE | NR |
| 3 | 17 | 115150 | | MAINFOLD | NR |
| 3 | 18 | 127133 | | DELIVERY WASH HOSE | NR |
| 3 | 20 | 209042 | | DOSING PUMP | NR |
| 3 | 21 | 143261 | | HOSE | NR |
| 3 | 22 | 143005 | | LINEN RUBBER PIPE 5X12 - BLACK | MT |
| 3 | 23 | H.775601 | | PIPE | MT |
| 3 | 24 | 121993 | | FILTER AID DISPENSER | NR |
| 3 | 25 | 143252 | | DRAIN HOSE | NR |
| 3 | 26 | 143270 | | INLET WRAS PIPE | NR |
| 3 | 27 | 437080 | | GASKET | NR |
| 3 | 28 | 115149 | | SUPPORT ARMS WASH / RINSE | NR |
| 3 | 29 | 437113 | | GASKET | NR |
| 3 | 30 | H.165168 | | PIPE | MT |
| 3 | 31 | 429072 | | RING NUT | NR |
| 4 | 1 | 143263 | | PIPE | NR |
| 4 | 2 | 144030 | | NO RETURN VALVE | NR |
| 4 | 3 | 143004 | | PIPE | MT |
| 4 | 4 | 437041 | | GASKET | NR |
| 4 | 5 | 240011 | | FILL VALVE | NR |
| 4 | 6 | 104060 | | BOILER | NR |
| 4 | 7 | 136030 | | ASPIRATION AND DRAIN BODY | NR |

(*) Recommended spare part.

| Page | Spare part position | Spare part code no. | Old code number | Description | U.m. |
|------|---------------------|---------------------|-----------------|--------------------------------|------|
| 4 | 8 | 127082 | | DELIVERY WASH HOSE | NR |
| 4 | 9 | 456076 | | O-RING | NR |
| 4 | 10 | 127085 | | DELIVERY WASH HOSE | NR |
| 4 | 11 | 115143 | | MAINFOLD | NR |
| 4 | 12 | 437102 | | GASKET | NR |
| 4 | 13 | 429073 | | RING NUT | NR |
| 4 | 14 | 121135 | | SUCTION FILTER UNIT | NR |
| 4 | 16 | 480162 | | PLUG | NR |
| 4 | 17 | 115150 | | MAINFOLD | NR |
| 4 | 18 | 127133 | | DELIVERY WASH HOSE | NR |
| 4 | 20 | 209042 | | DOSING PUMP | NR |
| 4 | 21 | 143261 | | HOSE | NR |
| 4 | 22 | 143005 | | LINEN RUBBER PIPE 5X12 - BLACK | MT |
| 4 | 23 | H.775601 | | PIPE | MT |
| 4 | 24 | 121993 | | FILTER AID DISPENSER | NR |
| 4 | 26 | 143270 | | INLET WRAS PIPE | NR |
| 4 | 27 | 437080 | | GASKET | NR |
| 4 | 28 | 115149 | | SUPPORT ARMS WASH / RINSE | NR |
| 4 | 29 | 437113 | | GASKET | NR |
| 4 | 30 | H.165168 | | PIPE | MT |
| 4 | 31 | 429072 | | RING NUT | NR |
| 5 | 1 | 117009 | | WATER SOFTNER | NR |
| 5 | 2 | 144030 | | NO RETURN VALVE | NR |
| 5 | 3 | 143004 | | PIPE | MT |
| 5 | 4 | 240016 | | SOLENOID VALVE | NR |
| 5 | 5 | 437041 | | GASKET | NR |
| 5 | 6 | 143270 | | INLET WRAS PIPE | NR |
| 5 | 7 | 999288 | | SOLENOID VALVE | NR |
| 5 | 8 | 127138 | | SLEEVE | NR |
| 5 | 9 | 127140 | | SLEEVE | NR |
| 5 | 10 | 127137 | | SLEEVE | NR |
| 5 | 11 | 127139 | | SLEEVE | NR |

(*) Recommended spare part.

| Page | Spare part position | Spare part code no. | Old code number | Description | U.m. |
|------|---------------------|---------------------|-----------------|--|------|
| 5 | 12 | 480005 | | SALT CONTAINER SCREW CAP | NR |
| 5 | 13 | 456052 | | O-RING | NR |
| 5 | 14 | 429011 | | RING NUT | NR |
| 5 | 15 | 437034 | | GASKET | NR |
| 5 | 16 | 406998 | | SALT CONTAINER UNIT | NR |
| 5 | 18 | 143137 | | DRAIN HOSE | NR |
| 5 | 19 | 468152 | | DRAIN CONNECTION FOR DISHWASHERS SERIE | NR |
| 5 | 20 | 127136 | | SLEEVE | NR |
| 5 | 21 | 499092 | | DIAPHRAGM VALVE VENT | NR |
| 5 | 22 | 476008 | | SPHERE | NR |
| 5 | 23 | 437083 | | GASKET | NR |
| 5 | 24 | 468199 | | PIPE FITTING | NR |
| 5 | 25 | 144992 | | NO RETURN VALVE | NR |
| 5 | 26 | 127158 | | SLEEVE | NR |
| 5 | 27 | 999365 | | PRICE TO BE DEFINED | |
| 5 | 28 | 127134 | | SUCTION PIPE | NR |
| 6 | 1 | 429079 | | RING NUT | NR |
| 6 | 2 | 303040 | | RING | NR |
| 6 | 3 | 325109 | | PIVOT | NR |
| 6 | 4 | 990128 | | RINSE AND WASH ARM | NR |
| 6 | 5 | 437117 | | WASHER | NR |
| 6 | 6 | 454006 | | RING NUT | NR |
| 6 | 13 | 429073 | | RING NUT | NR |
| 6 | 14 | 437102 | | GASKET | NR |
| 6 | 15 | 115143 | | MAINFOLD | NR |
| 6 | 16 | 121139 | | STAINER | NR |
| 6 | 17 | 121145 | | STAINER | NR |
| 6 | 21 | 80700 | | PIVOT | NR |
| 6 | 22 | 80697 | | RING NUT | NR |
| 6 | 23 | 325070 | | EXTENSION FOR STUD | NR |
| 6 | 25 | 129080 | | COMPLETE RINSE ARM | NR |
| 6 | 26 | 80345 | | WASH ASSEMBLY | NR |

(*) Recommended spare part.

| Page | Spare part position | Spare part code no. | Old code number | Description | U.m. |
|------|---------------------|---------------------|-----------------|--|------|
| 6 | 33 | 417111 | | UNION NUT WASH/RINSE ARM | NR |
| 6 | 34 | 308031 | | RING NUT | NR |
| 7 | 1 | 130976 | | WASH-BODY UNIT AND PUMP (130185)LA500 60HZ | NR |
| 7 | 3 | 335015 | | WASPUMP FUN | NR |
| 7 | 4 | 206015 | | CAPACITOR | NR |
| 7 | 6 | 141008 | | WASPUMP SHAFT SEAL | NR |
| 7 | 7 | 141009 | | WASPUMP SHAFT SEAL | NR |
| 7 | 8 | 124060 | | ELECTROPUMP IMPELLER | NR |
| 7 | 10 | 456078 | | O-RING | NR |
| 7 | 11 | 480159 | | PLUG | NR |
| 7 | 12 | 429074 | | RING NUT | NR |
| 7 | 13 | 486242 | | SCREW | NR |
| 7 | 14 | 116032 | | ELECTROPUMP HOUSING | NR |